

EXTERIOR DOOR
HARDWARE
SOLUTION



ZIRCON

**PIVOT OR CONCEAL
HINGE**

**CUSTOMIZED
HANDLES**

**CYLINDERS
LOCKS**

SEAL STRIP

FORCE PIVOT HINGE



MATERIAL : SUS304 & ALUMINUM

LOAD CAPACITY :300 Kgs (661 lbs)

MINIMUM DOOR THICKNESS :48MM

AXIS POSITION :Off-Center

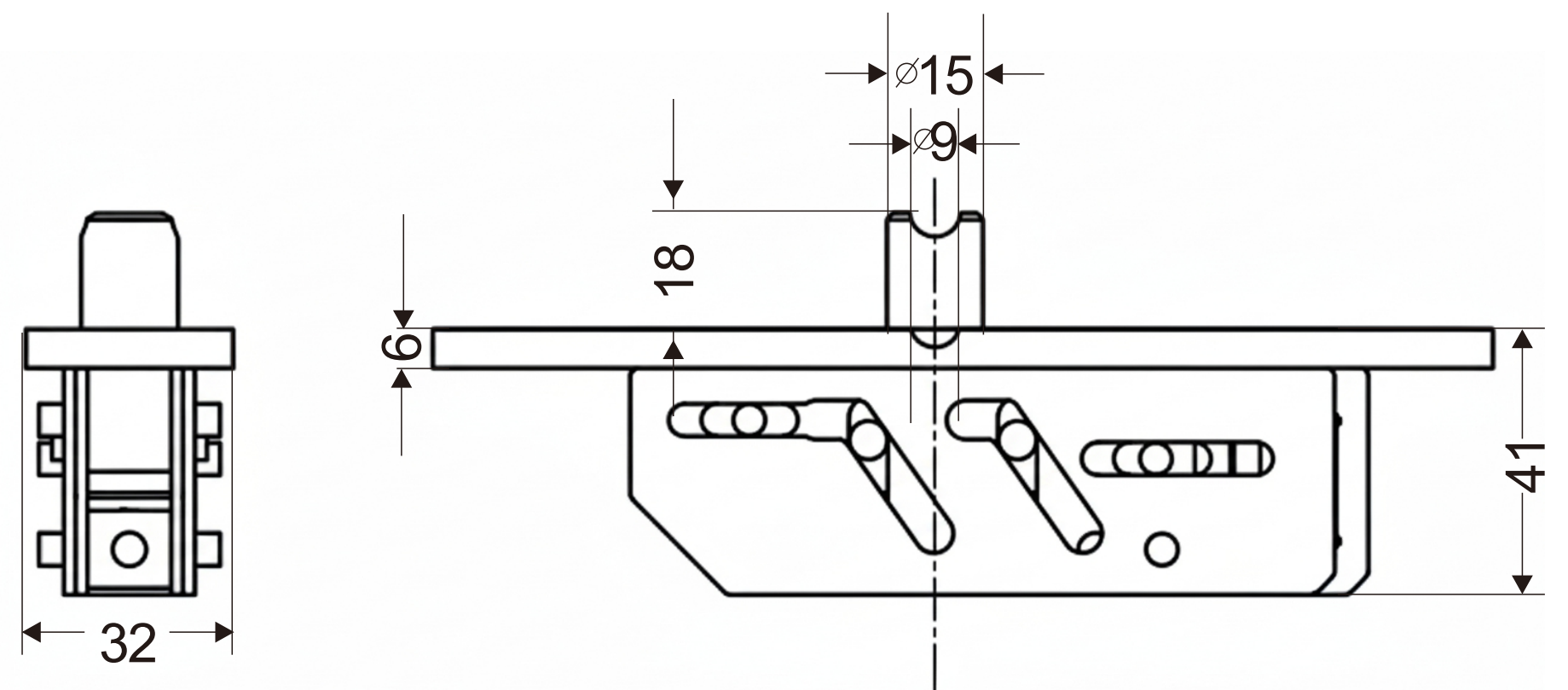
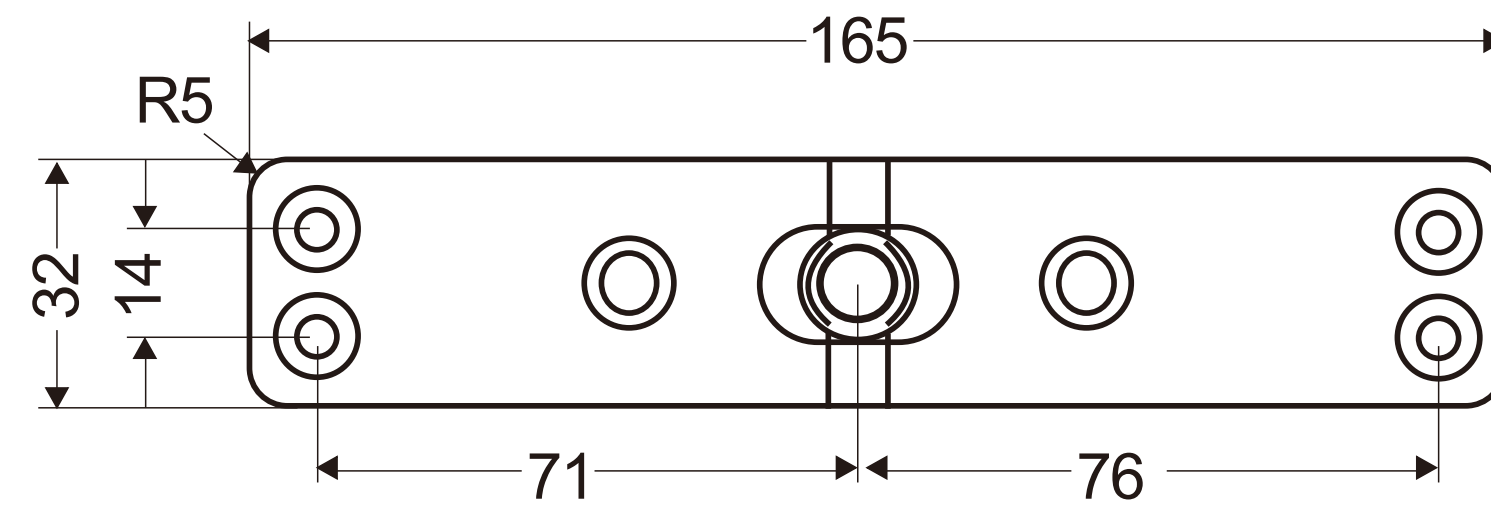
POSITIONING :Each 90 Degree

MAX OPENING ANGLE :360 Degree

BUFFER :Hydraulic Self Close

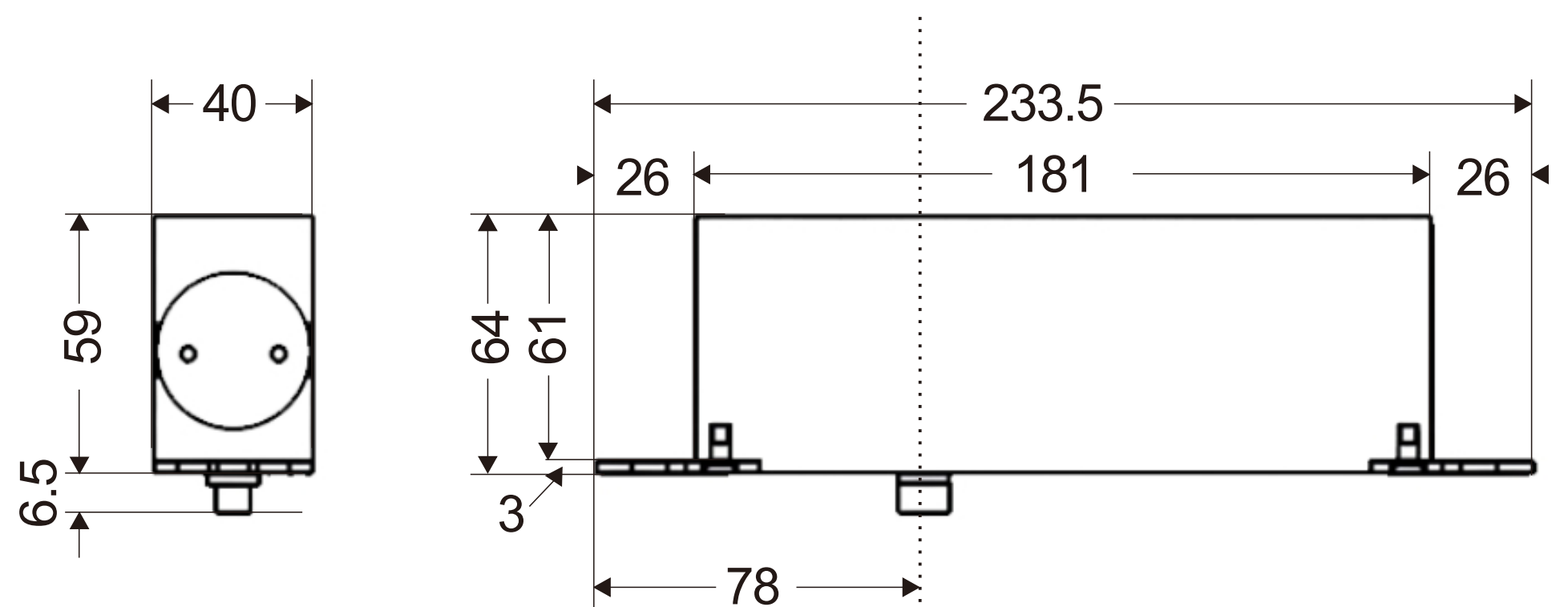
SPEED :Adjustable

TOP PIVOT



FORCE
PIVOT
HINGE

BOTTOM

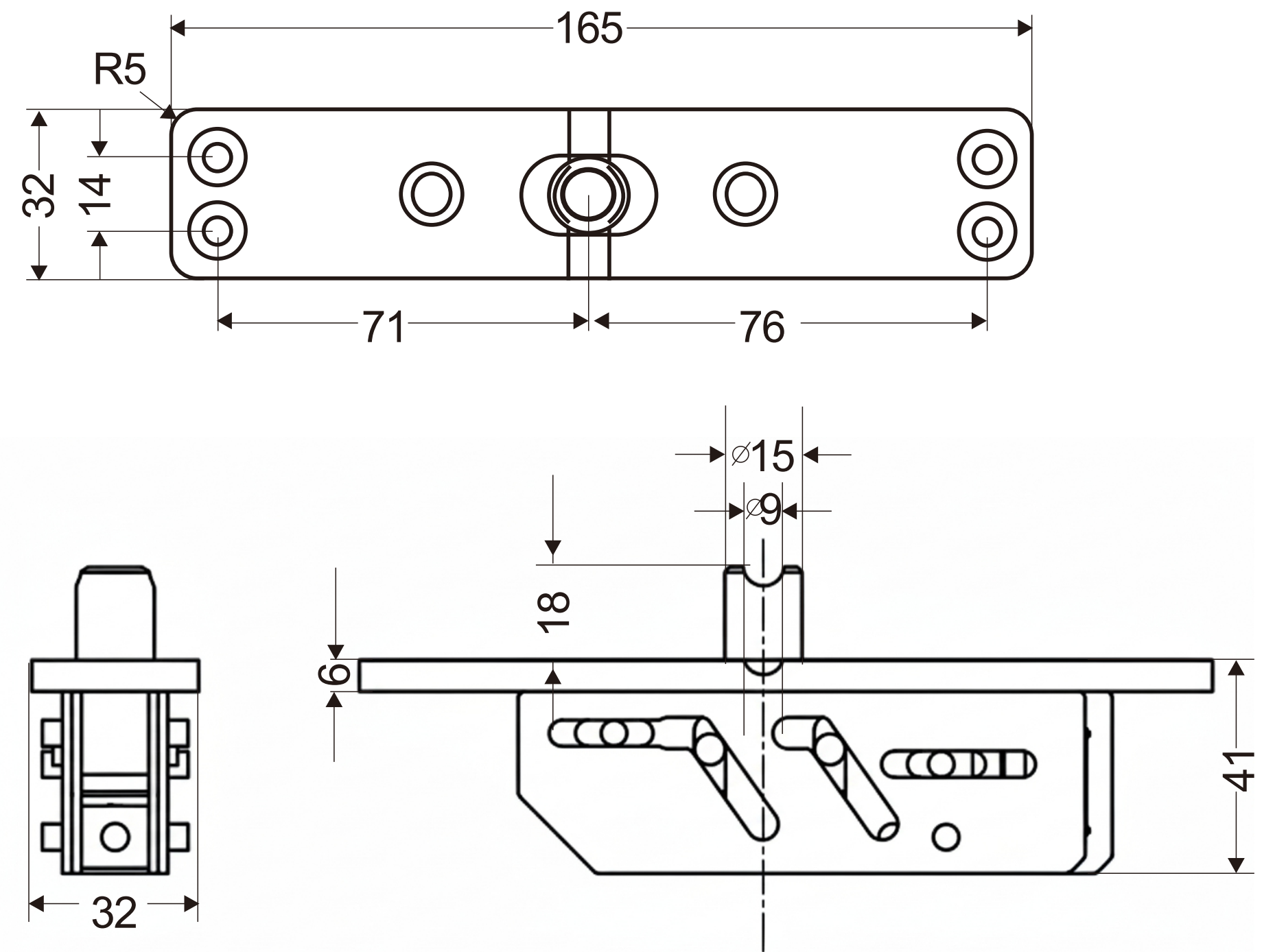


CARRY PIVOT HINGE

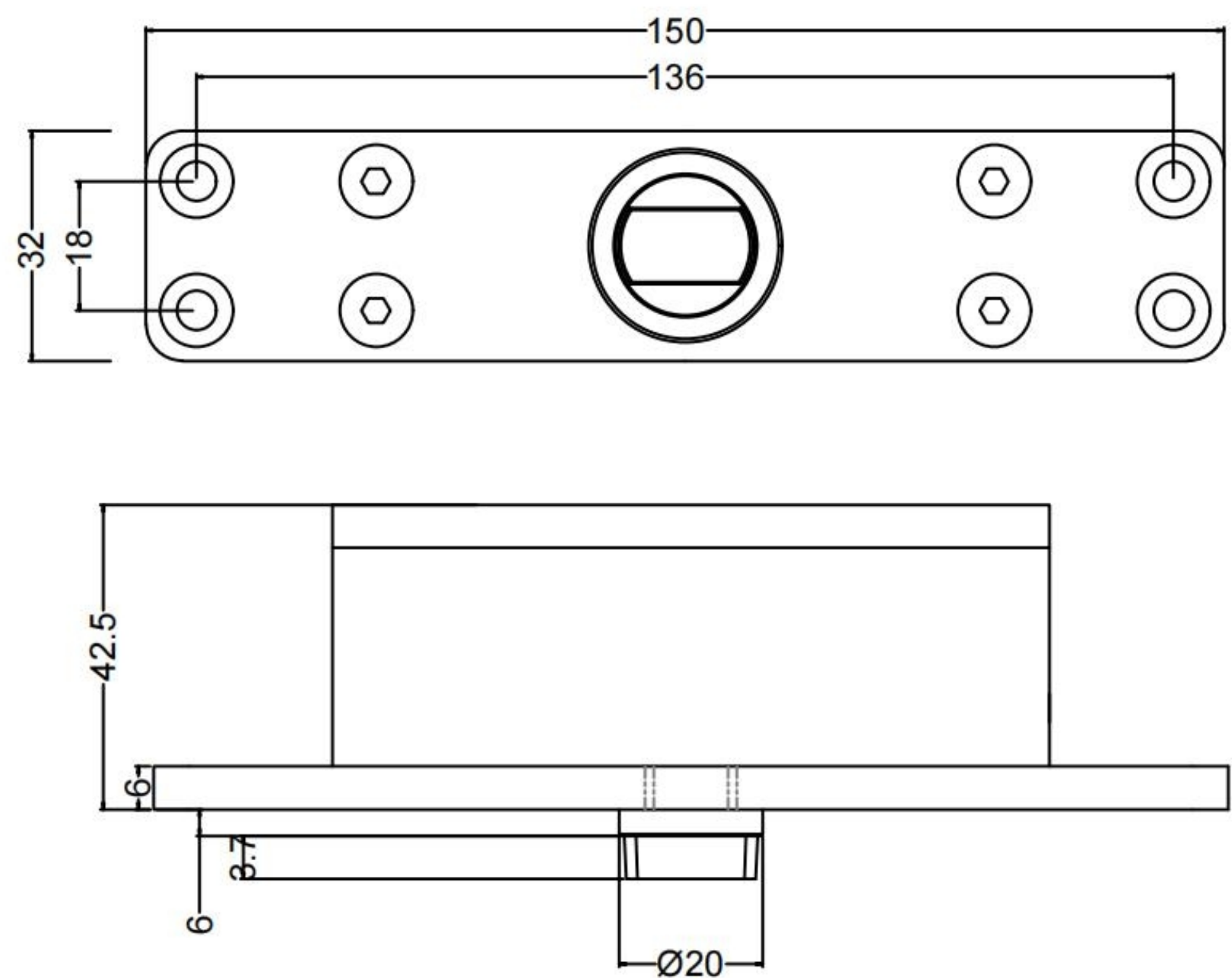


MATERIAL	: SUS304 & ALUMINUM
LOAD CAPACITY	:500 Kgs (1100 lbs)
MINIMUM DOOR THICKNESS	:48MM
AXIS POSITION	:Off-Center
POSITIONING	:Each 90 Degree
MAX OPENING ANGLE	:360 Degree
BUFFER	:Open- Holding
SPEED	:Non-Hydraulic self close

TOP PIVOT

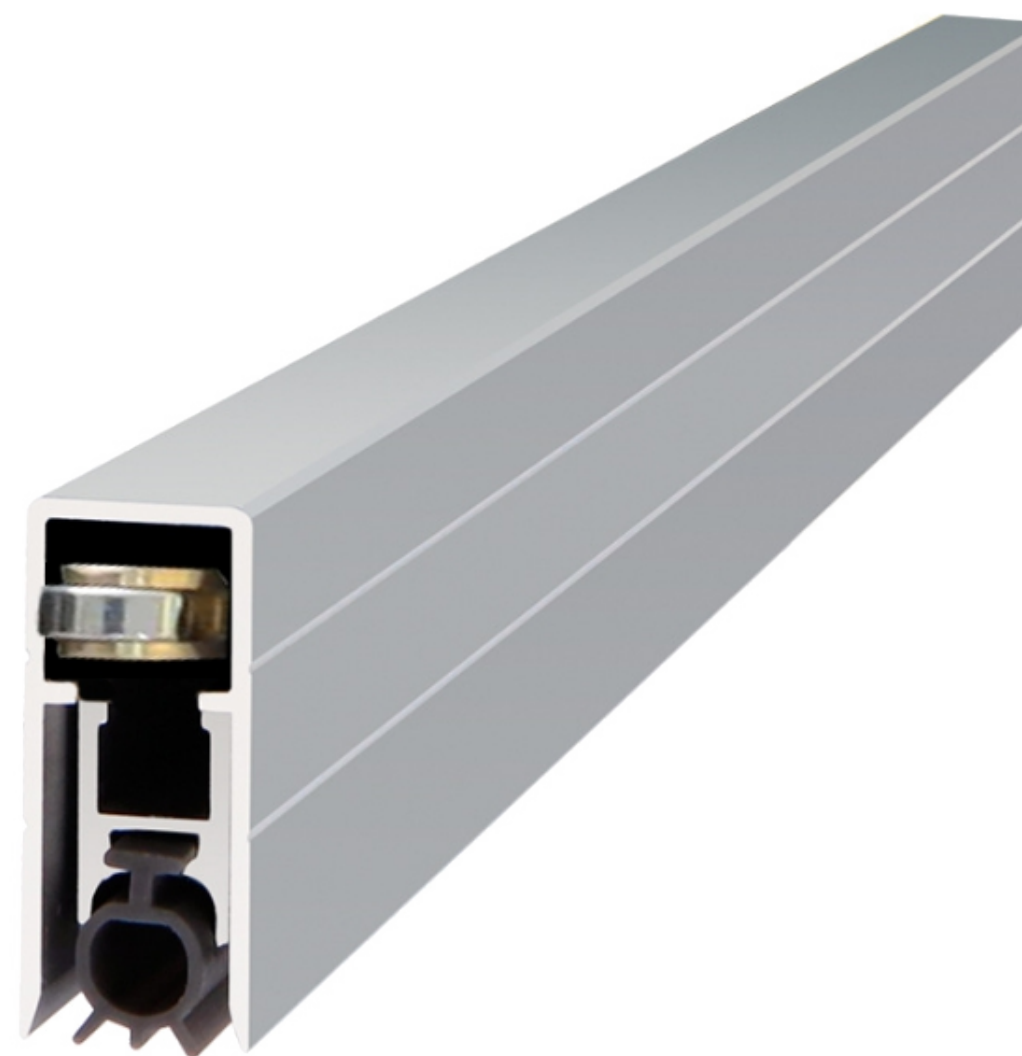


BOTTOM



CARRY
PIVOT
HINGE

ROLLER SEAL STRIP



MATERIAL : ALUMINUM ALLOY

DIMENSION :34*14MM

CLOSING :AUTOMATIC

AVAILABLE LENGTH :600-2000MM
OR Customized

AVAILABLE MANUAL CUT LENGTH :MAX 100MM

SECURE EURO CYLINDER SET



MATERIAL	: SOLID BRASS (CYLINDER) SUS 304(ESCUTCHEON)
OPENING	:KEY/SNIB OR KEY/KEY
SECURITY	:STANDARD OR CUSTOM
KEY	:5 PCS BRASS COMPUTER (OR CUSTOM)
STANDARD LENGTH	:120MM(55/10/55) 150MM(70/10/70) (OR CUSTOM)
AVAILABLE COLORS	:MB, SN ,GP, SB, PC (OR CUSTOM)

MAKE
EXTERIOR
DOOR
EASY

www.zhigaohardware.com



ZIRCON